

TK232

2 Pole Temperature Limiter

Operating Temperature Range (+50°C to +190°C)

This is a temperature sensitive device, which is intended to keep a temperature below one particular value during normal operating conditions, automatically switching off 2 poles of the electrical circuit. This device is not self-resetting and operates with manual reset option. It prevents overheating in variety of consumer, industrial and commercial products.

This temperature limiter is available only with contacts that open as the temperature increases. The contacts may be reset by manually pushing on the reset button after the device has cooled below the open temperature calibration.

Besides its variety of standard configurations this limiter can also be customized to the specific technical needs of the customer, assuring maximum design flexibility and usage in broad range of temperature control applications.

Contact Type: Normally Closed

BRYTEC
Our service, your profit!



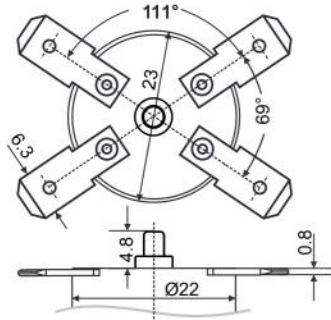
BASIC TECHNICAL DATA FOR TK232 (50 °C – 190 °C)

Parameter	Value
Rated voltage, V, not more	~250
Rated current, A, at power coeff. 0,95, not more	16
Number of automatic cycles, at rated current 16 A and power coeff. 0,95, not less than	10 000
Operating temperature, °C	50 to 190
Tolerance of temperature limiter operating temperature, %, but not less than °C	±3; ±5
Transient resistance, Ω, not more	0,05
Contact operating time, ms, not more	3
Electric strength of insulation, V, not less than	1500
Insulation resistance, MΩ, not less than	50
Heating speed, K/min	minimum-0,1; maximum-1,0
Degrees of protection provided by enclosure	IP4X; IP64

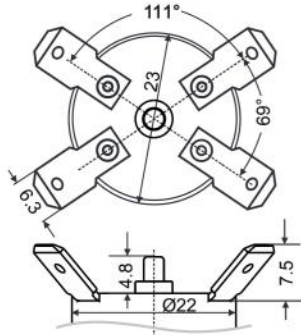
*May differ depending on the wire type and length

Table 1.1 (TERMINALS)

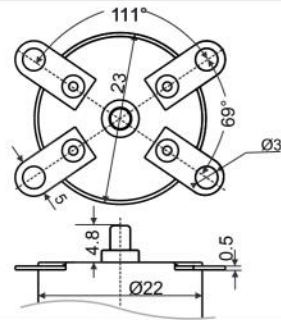
T 01



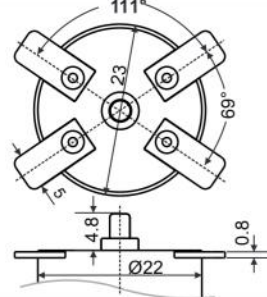
T 03



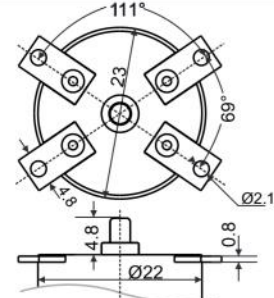
T 05



T 08

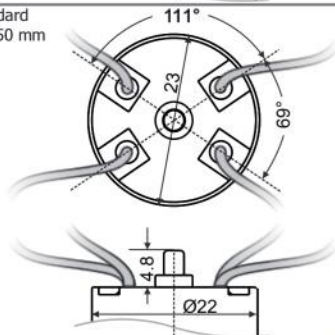


T 11



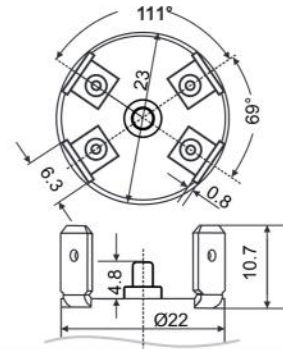
T 13

wire standard
length: 150 mm

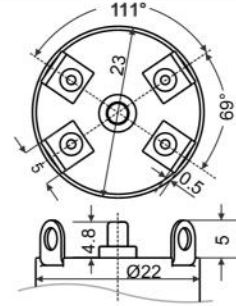


wire information to be specified on the order form (type; cross-section; lengths; stripping)

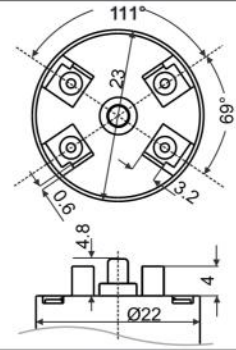
T 02



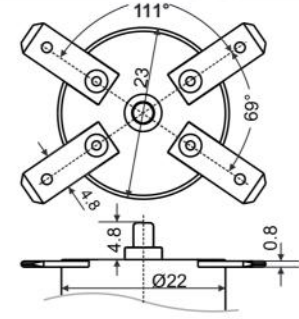
T 04



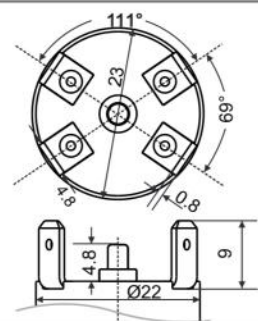
T 06



T 10



T 12



T 14

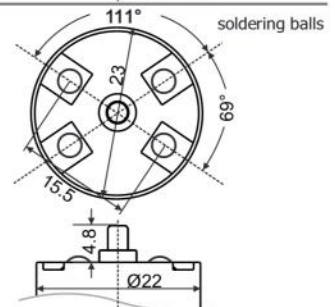
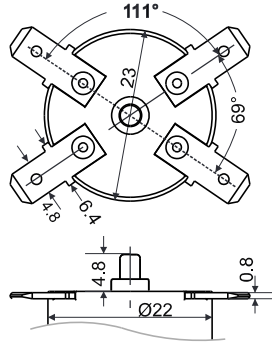


Table 1.1 (TERMINALS)

T 18



T 19

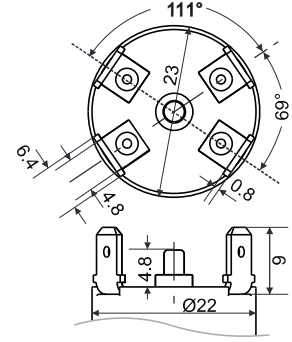
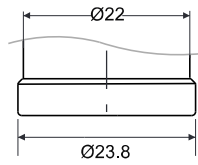


Table 1.2 (MOUNTING)

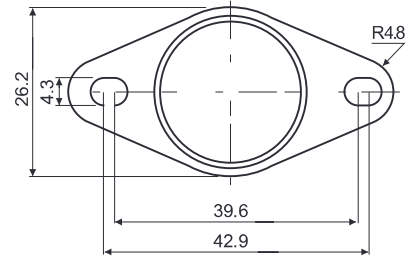
MG 00

NO MOUNTING



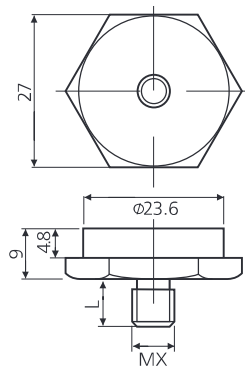
MG 01

ROTATION OR
FIXED CLIP



MG 07

SCREW CAP
SW 27



MG 08

SCREW CAP
SW 24

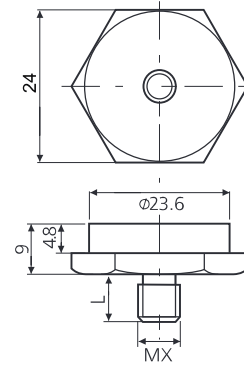
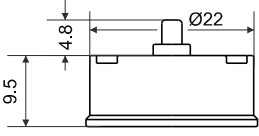
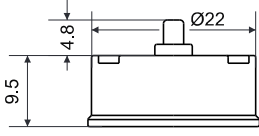


Table 1.3 (BODY and/or CASE)

BP	PLASTIC BODY	BC	CERAMIC BODY
			

PART ORDERING SYSTEM

TK232 1	TX* 2	MGX** 3	BXX 4	X±X*** 5
1	Temperature limiter model			
2	Terminals version (select from Table 1.1)			
3	Mounting version (select from Table 1.2)			
4	Body version (select from Table 1.3)			
5	Operating temperature value in °C and tolerance in ± %***			

Example: TK232-T01-MG00-BC-60°C±3%

*For wire terminals, lead wire parameters must be specified when placing an order: insulation type, cross-section area; ends type; length; etc.

**Tolerance in % or °C, whichever numerical value is bigger.