

Line Card

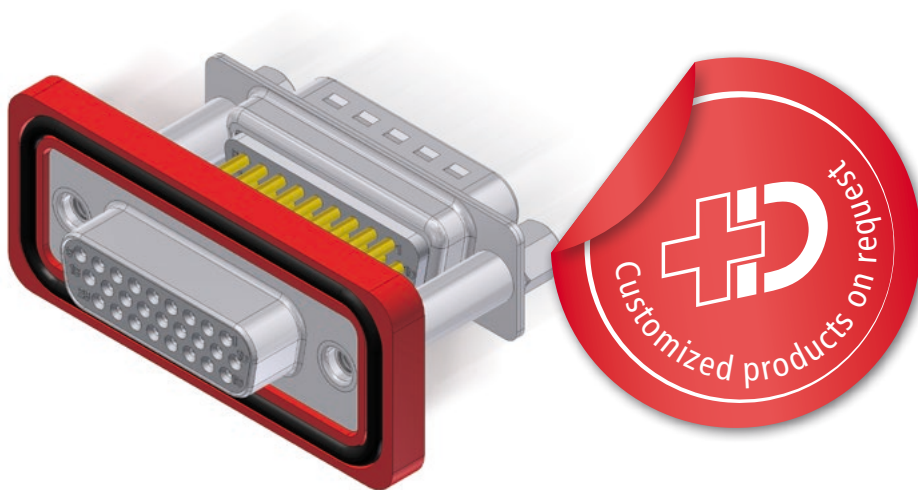
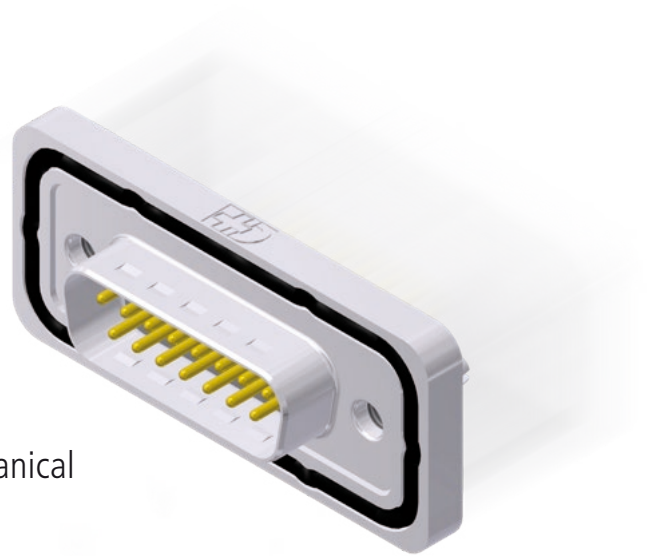
D-Sub Connectors

D-Sub Hoods

I/O Connectors

Bus Connectors

Deltron offers a wide range of different connectors, electronic- and electromechanical components.

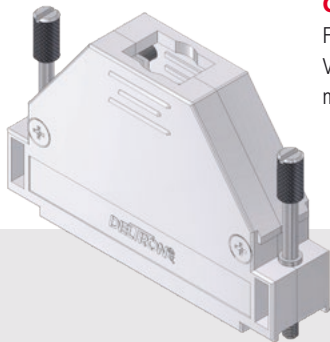


Customized products are our strength.

Our Customer service will support you during the realisation of your idea.

D-Sub Hoods

for example



Hood with Straight Cable Exit

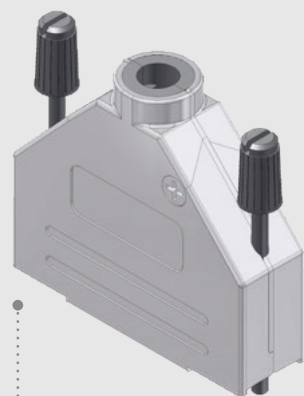
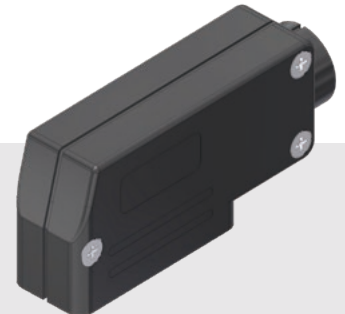
For D-Sub 09/15/25/37/50 Pin.
Various versions in plastic or metallized.

Hood with Straight and Side Cable Exit

For D-Sub 09/15/25/37 Pin.
Various versions in plastic or metallized.

Hood with 90° Angled Cable Exit

For D-Sub 09/15/25/37 Pin.
Plastic.



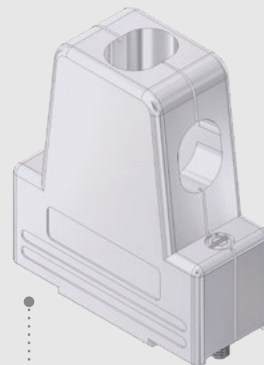
Hood with Straight or Side Exit

For D-Sub 09/15/25/37/50 Pin.
Metal, EMI/RFI shielding.



Hood with 90° Angled Cable Exit

For D-Sub 09/15/25/37 Pin.
Metal, EMI/RFI shielding.



Hood with Straight and 2 Side Cable Exit

For D-Sub 09/15/25/37 Pin.
Plastic or metallized.

Hood IP 67

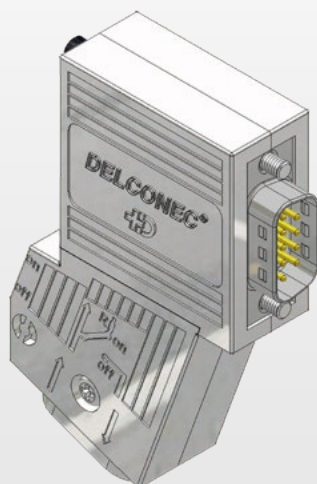
For D-Sub 09/15/25 Pin.
Plastic, waterproof.



Bus Connectors

Bus Connectors

Profibus, CAN-Bus.



Accessories

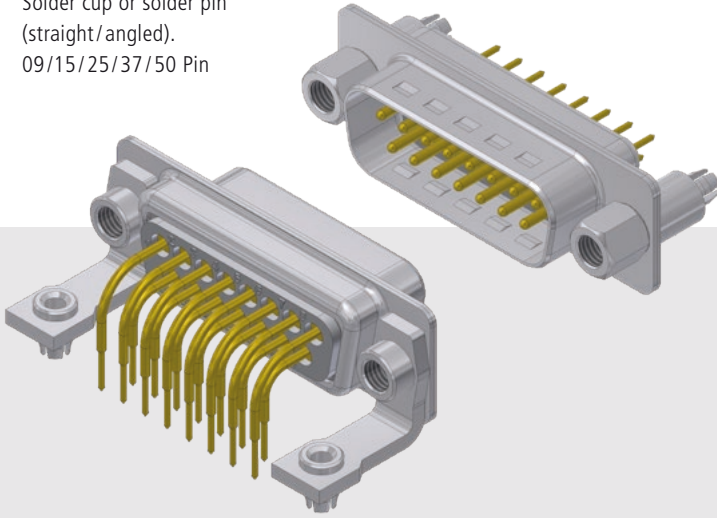
For D-Sub connectors



D-Sub Connectors

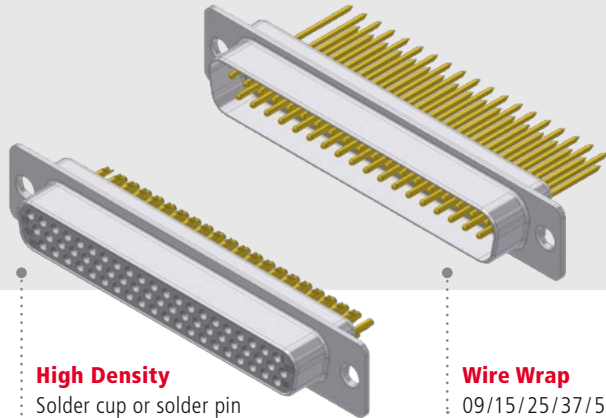
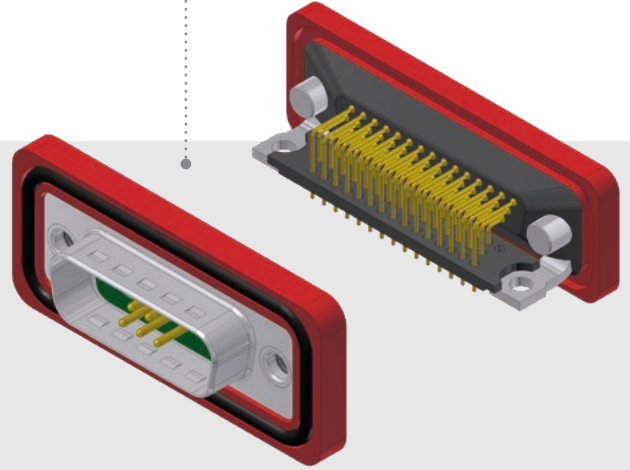
Standard

Solder cup or solder pin
(straight/angled).
09/15/25/37/50 Pin



Waterproof IP 67

Standard, high density, combi
and filter versions.

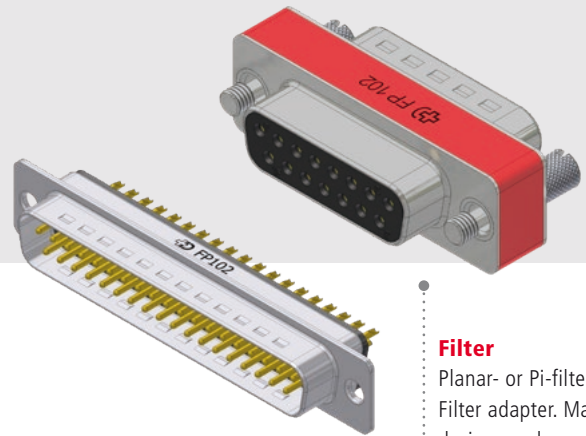


High Density

Solder cup or solder pin
(straight/angled).
15/26/44/62 Pin

Wire Wrap

09/15/25/37/50 Pin



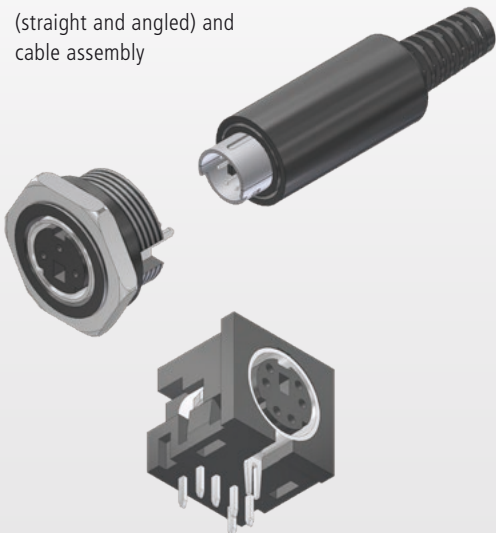
Filter

Planar- or Pi-filter.
Filter adapter. Many
designs and mounting
types.

Range of different Connectors

Mini DIN Connectors

Connectors for PCB
(straight and angled) and
cable assembly



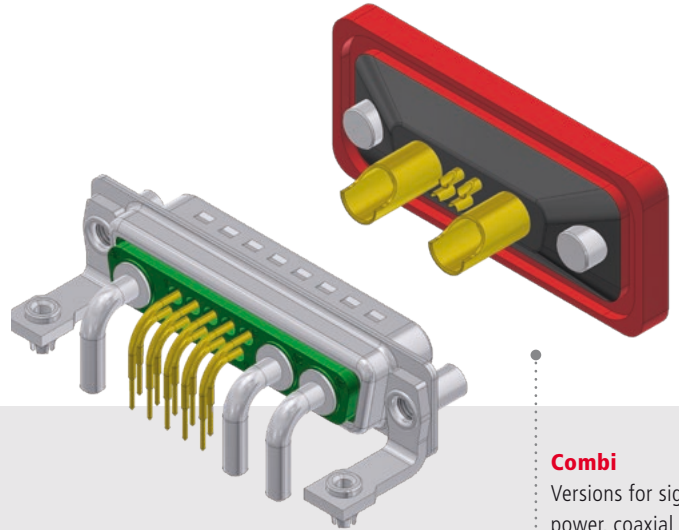
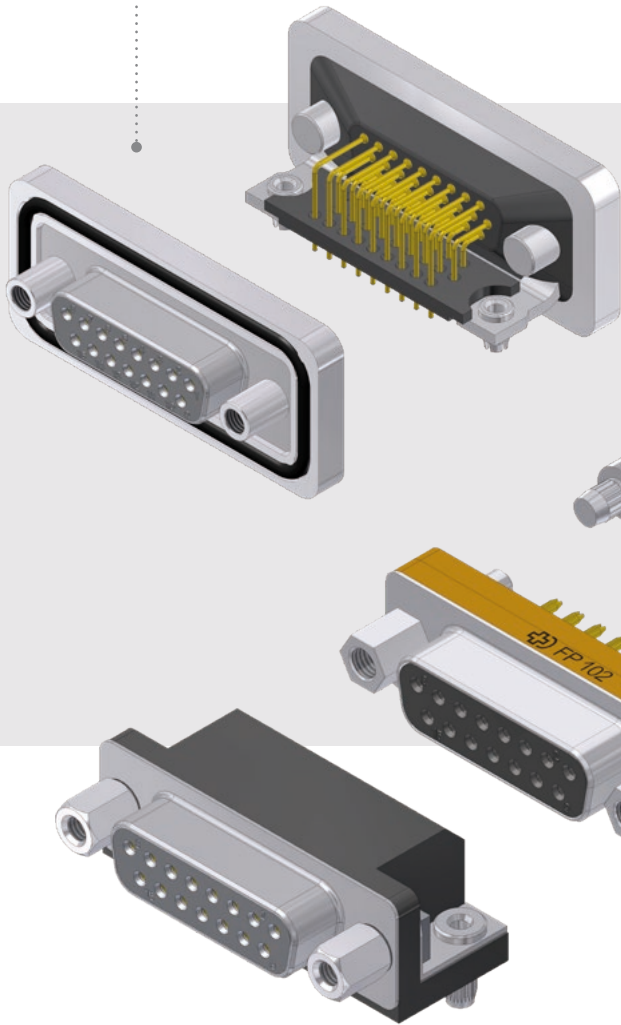
Circular Connectors Waterproof

Different series of connectors, plastic or metal body,
2 to 12 pins



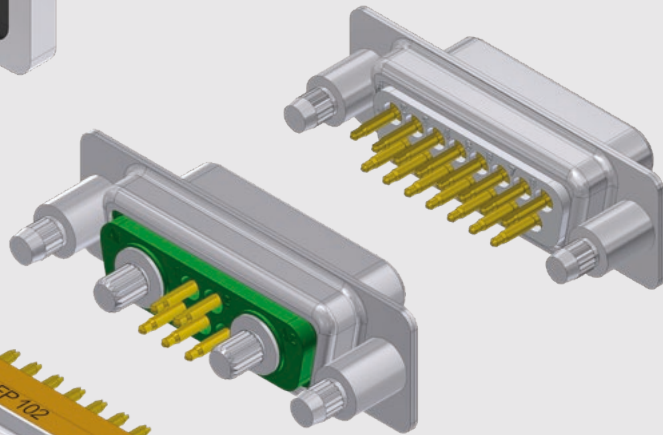
Waterproof IP 68

For front or back mounting.
Versions: Standard, high density, combi and filter.



Combi

Versions for signal, power, coaxial and pneumatic contacts.



Press Fit

For standard-, high density-, combi- and filter-connectors.

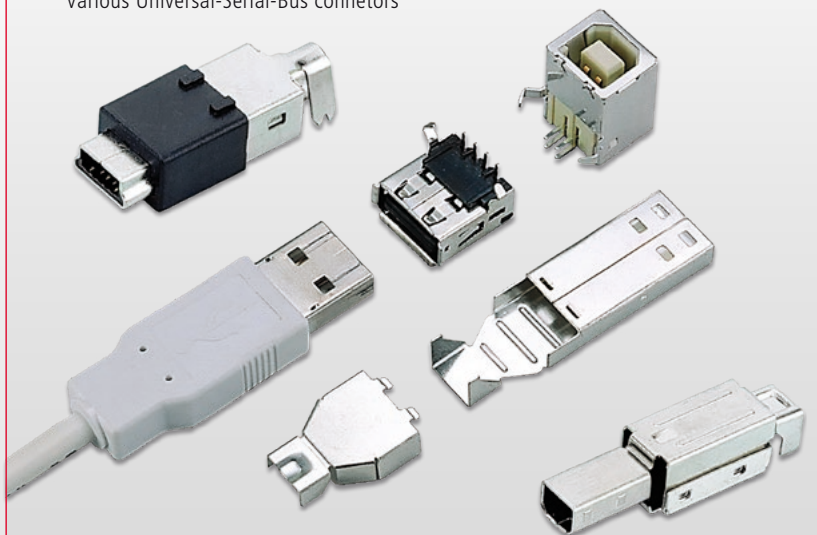
M8/M12 and Electrovalve Connectors

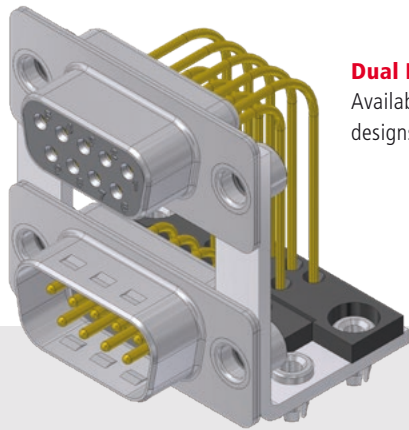
M8/M12 circular connectors and valve connectors, the complete range for automation



USB Connectors

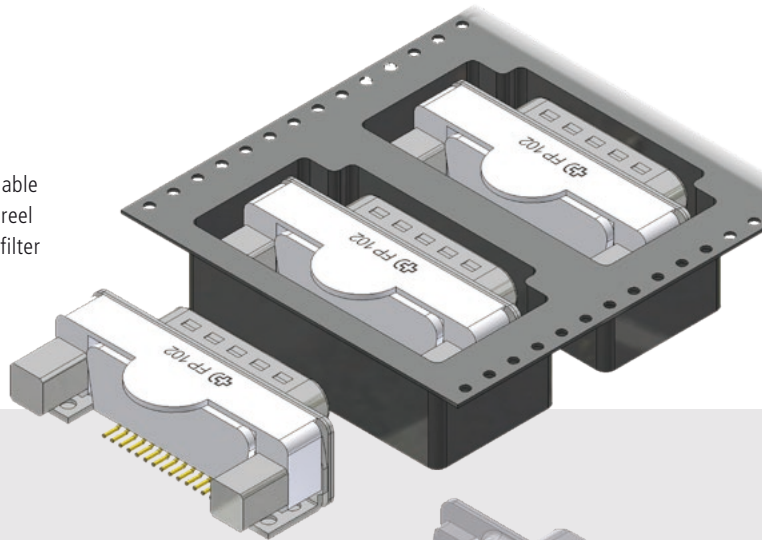
Various Universal-Serial-Bus connetors





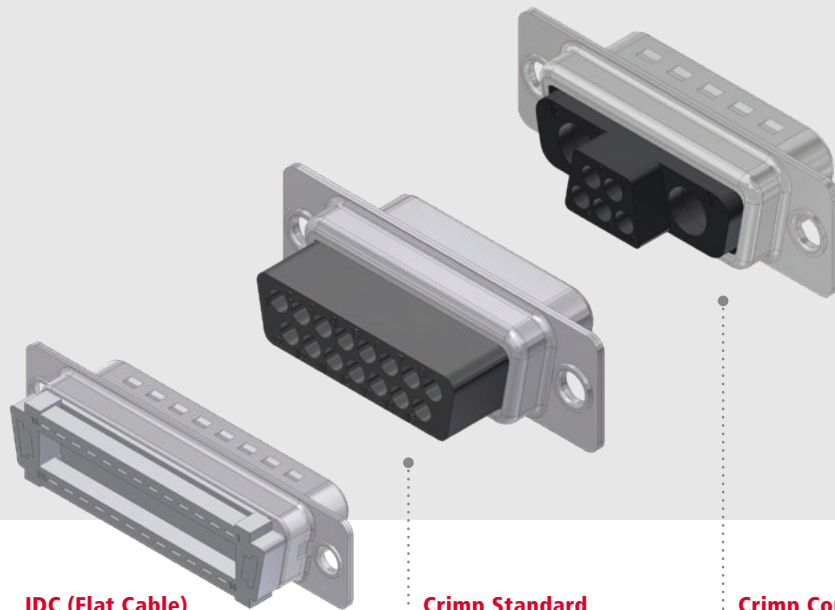
Dual Port

Available in various designs



SMD

Also available taped on reel and with filter



IDC (Flat Cable)

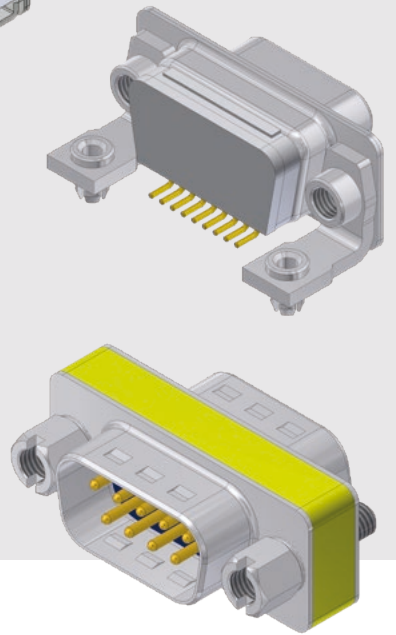
Stamped contacts, suitable for cable AWG 28-26

Crimp Standard

Crimp contacts and body. Standard and high density execution. Machined or stamped contacts.

Crimp Combi

Crimp contacts and body. Signal, power, coaxial.



Gender Changer

In standard and high density versions

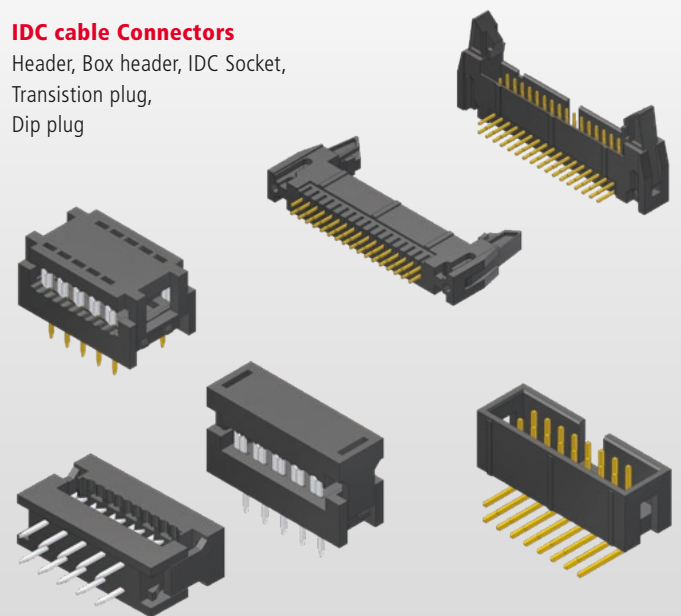
RJ 45 Connectors

Various RJ Modular Jack connectors



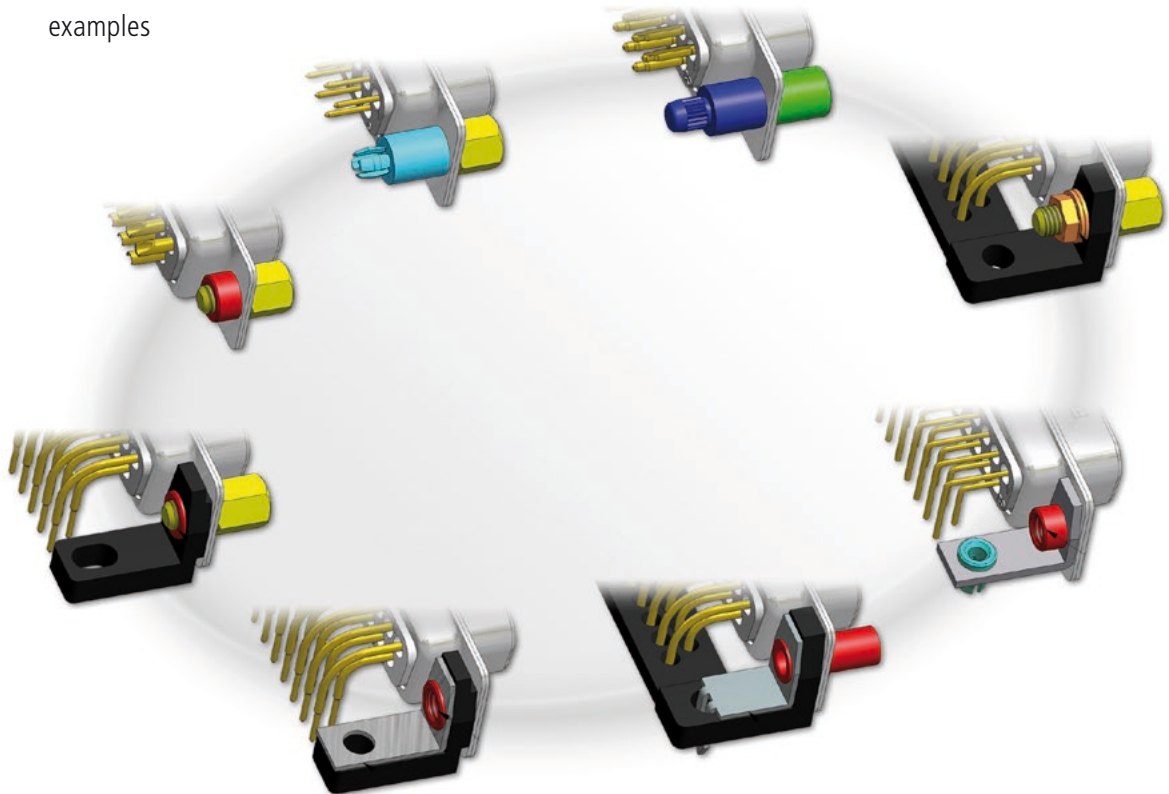
IDC cable Connectors

Header, Box header, IDC Socket, Transition plug, Dip plug



Large Selection of different Mounting Types

examples



Deltron AG

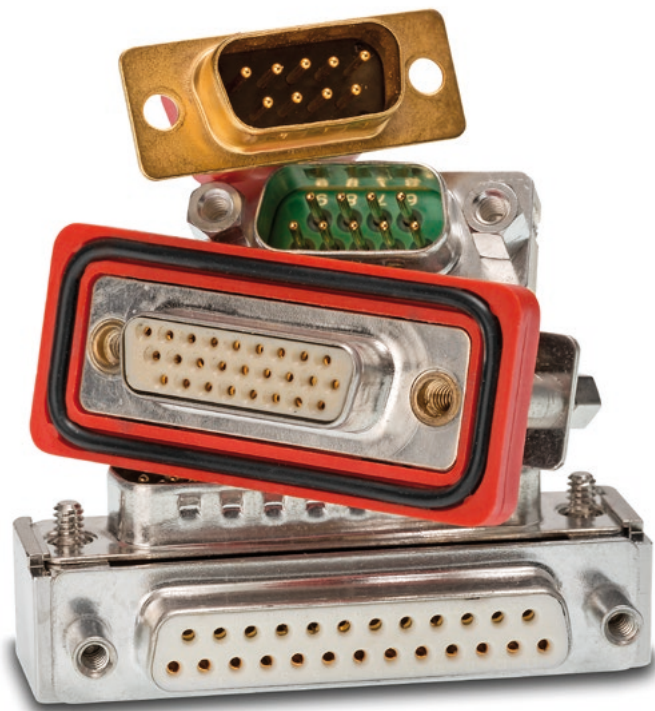
Industrie Neuhof 8c

CH-3422 Kirchberg

Phone +41 34 448 12 12

info@deltron.ch

www.deltron.ch



DELTRON ^{SWISS}
CONNECTORS | CUSTOMIZED